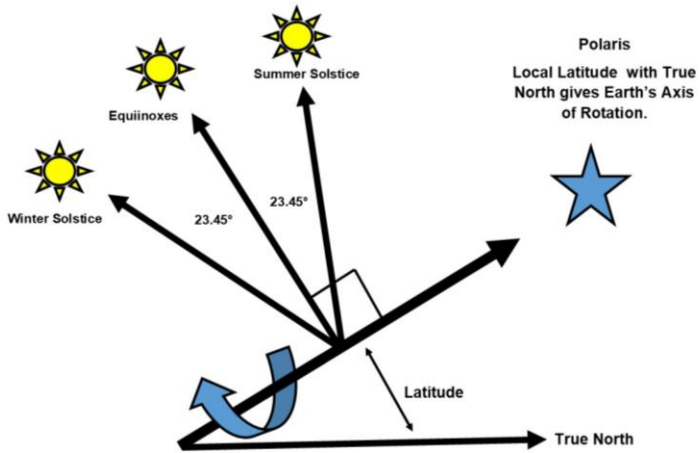
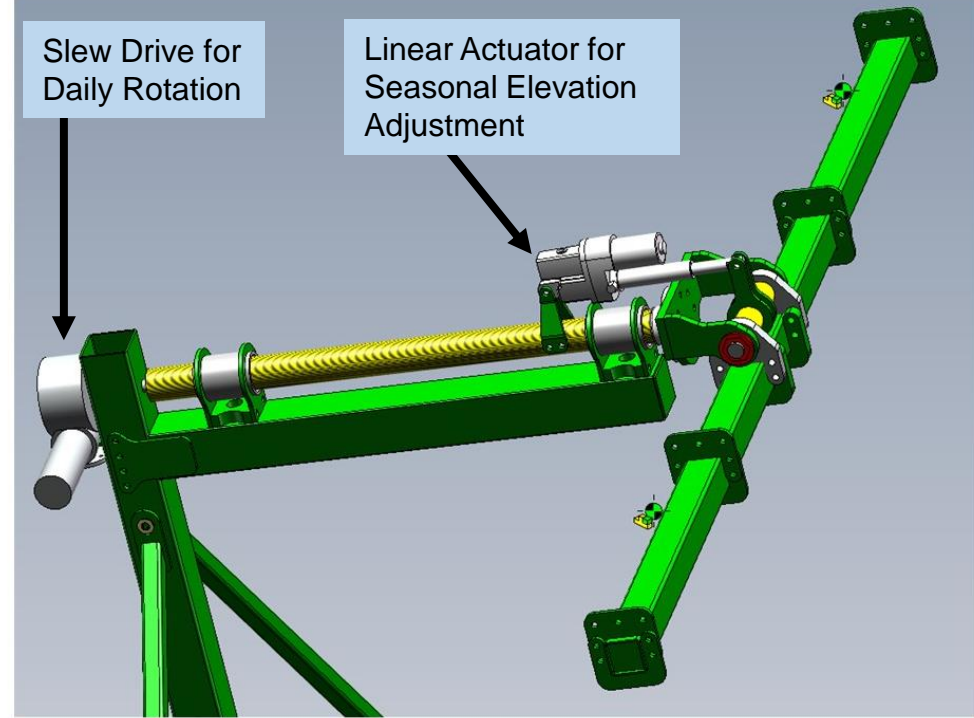
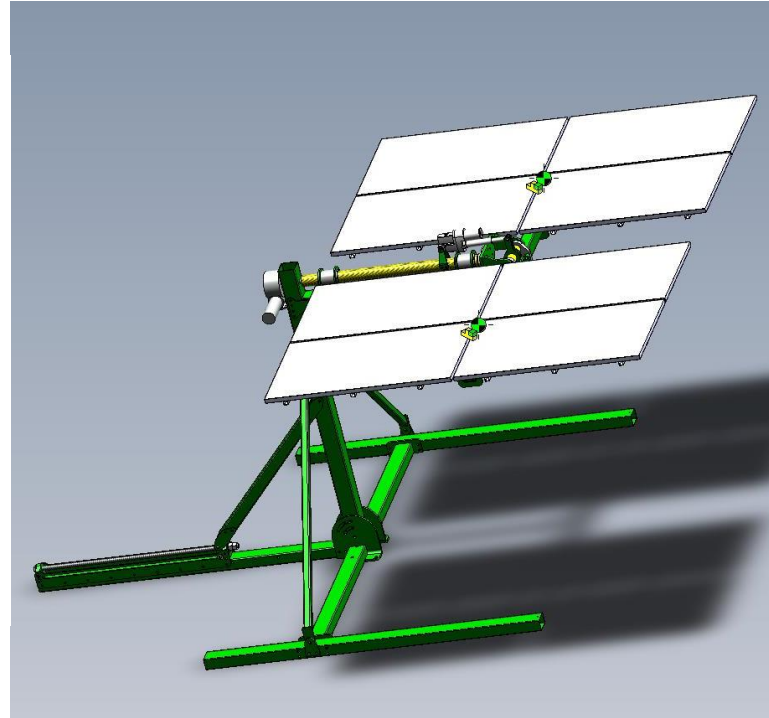


The Suntraption

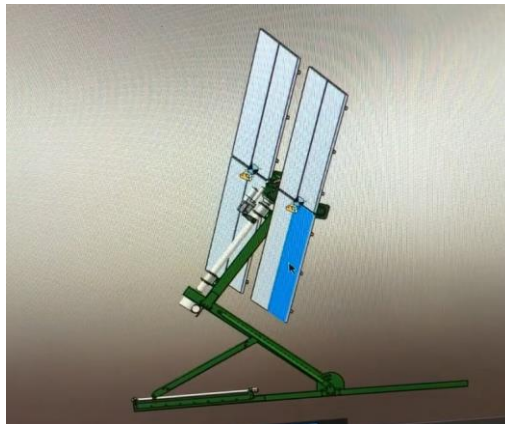
A superior, patented, simple-but-precise 4000w solar PV stand that tracks daily with rotation alone.



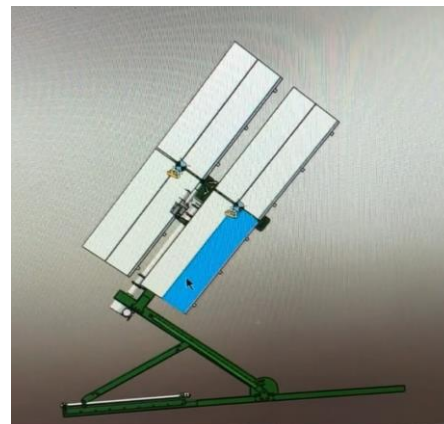
The Sun can be found within a range of 23.45° either side of perpendicular to a rotating polar-aligned shaft.



Seasonally Adjusted for Winter Solstice



Seasonally Adjusted for Equinoxes



Seasonally Adjusted For Summer Solstice

