

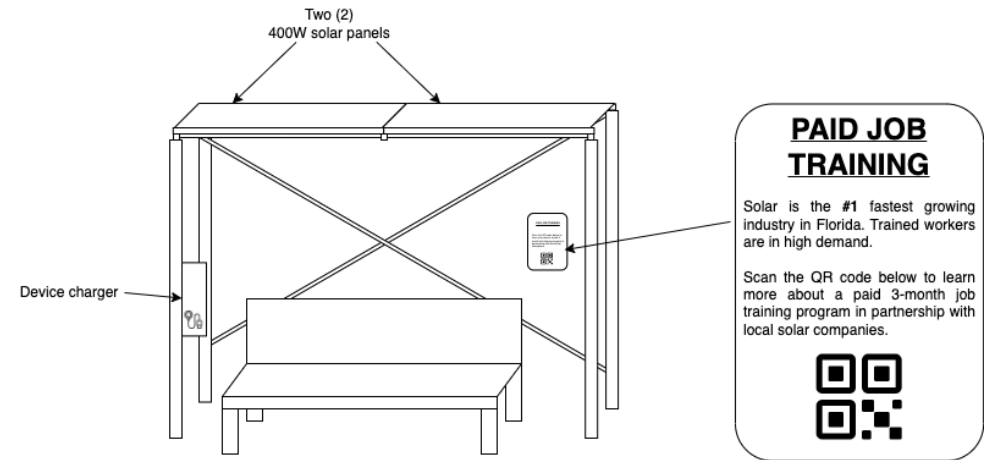
## About Us

- Solar Panel Recycler – Founded in 2023
- Headquarters in Jacksonville, Florida
- We work with utilities, installers and developers

## Project Overview

- Workforce development program for disadvantaged communities.
- Construction of shaded-bus stops with solar panel covering, and small device charger.
- Job advertisement would be a paid program; bus stops will be in economically disadvantaged areas and will feature an advertisement for the workforce development program.

## Concept Design



## Local Partners



City of Jacksonville



Jacksonville Transit Auth.



Florida State College  
at Jacksonville

Florida State College



Resilient Jacksonville