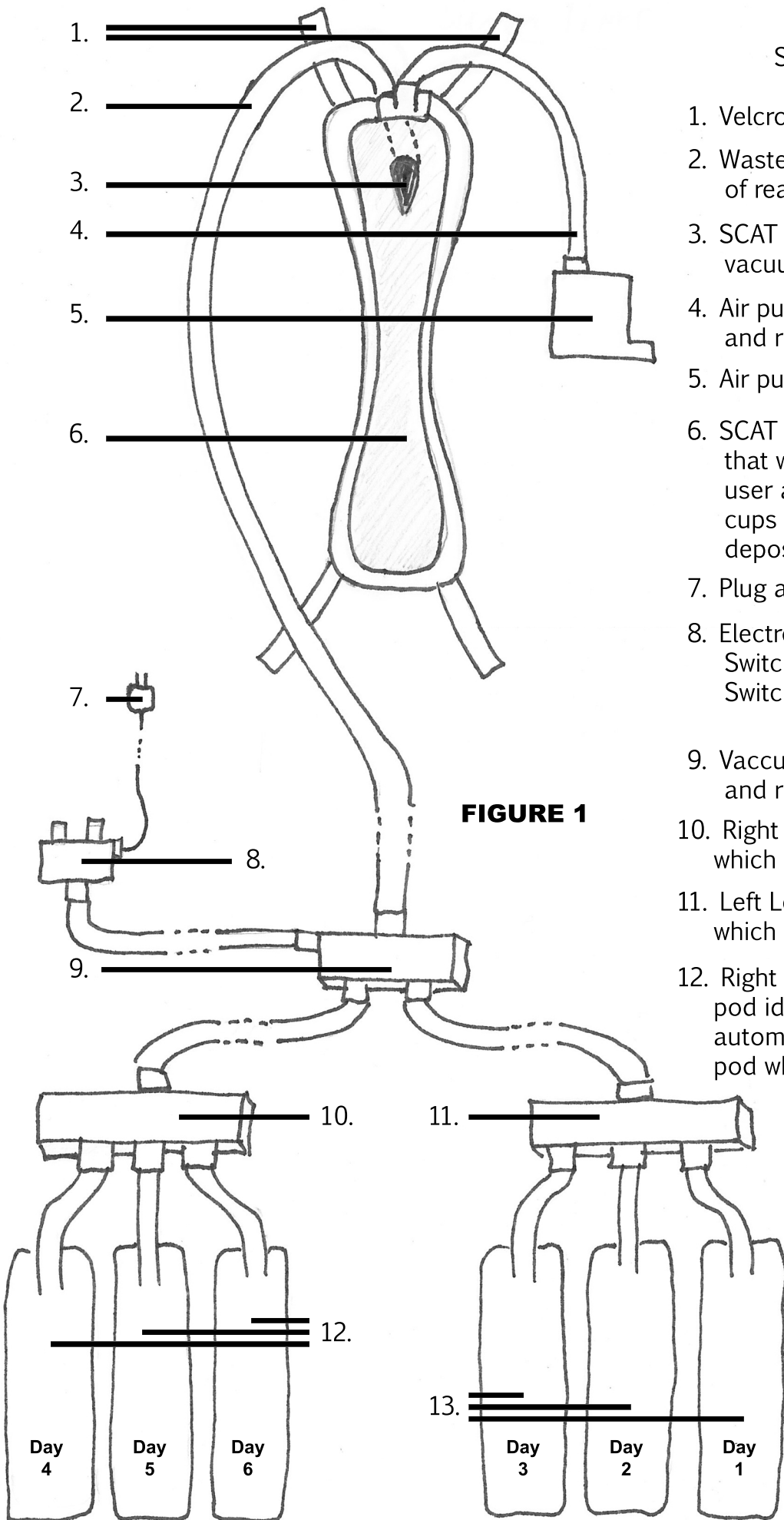


# S.C.A.T.

Self Contained Air Toilet



**FIGURE 1**

1. Velcro Straps to secure to shorts
2. Waste tube connected to the bottom of rear SCAT cup and the vacuum pump
3. SCAT cup deposit hole connected to vacuum waste tube
4. Air pump tubing to inflate SCAT cups and rim
5. Air pump to inflate SCAT cups
6. SCAT - Two cups connected together that when both are inflated offers the user an inflatable toilet. Once rim and cups are inflated, begin suction and deposite waste
7. Plug and wire to battery
8. Electronic activation:  
Switch 1 = Activates SCAT cup & pouch  
Switch 2 = Activates vacuum suction to deposite waste into P3s
9. Vaccum Pump and leg toggle for left and right legs
10. Right Leg Pod Controler that controls which pod the waste is deposite into
11. Left Leg Pod Controler that controls which pod the waste is deposite into
12. Right Leg - Pee Poop Pods (1-3). Each pod ideally holds 1.25 liters and will automatically be switched to another pod when full.
13. Left Leg - Pee Poop Pods (1-3). Each pod ideally holds 1.25 liters and will automatically be switched to another pod when full.