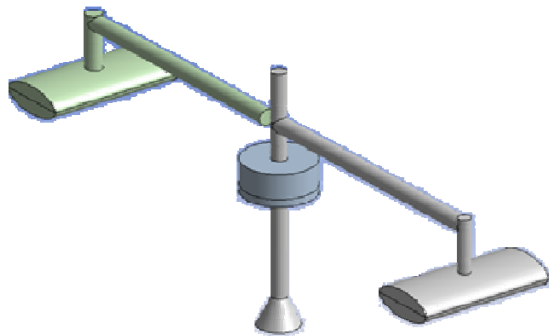


PASAD (Point Absorber Surface Attenuator Desalination)

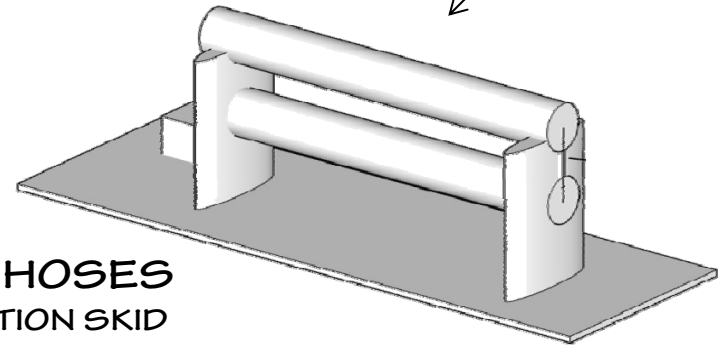


PASAD

- POINT ABSORBER
- SURFACE ATTENUATOR
- HYDRAULIC PISTONS FOR PRESSURE GENERATION
- ONBOARD SOLAR PANLE AND MONITORING DEVICE



INTERCONNECTING FLEX. HOSES
BETWEEN PASAD AND DESALINATION SKID



DESALINATION SKID

- PARALLEL RO ELEMENTS WITH BY-PASS VALVES
- ONSKID BRINE WASTE MANAGEMENT
- INLET STRAINERS
- QUICK COUPLING CONNECTION FOR HOSES



PASAD
CLEAN WATER FOR ALL



Stage I: CONCEPT