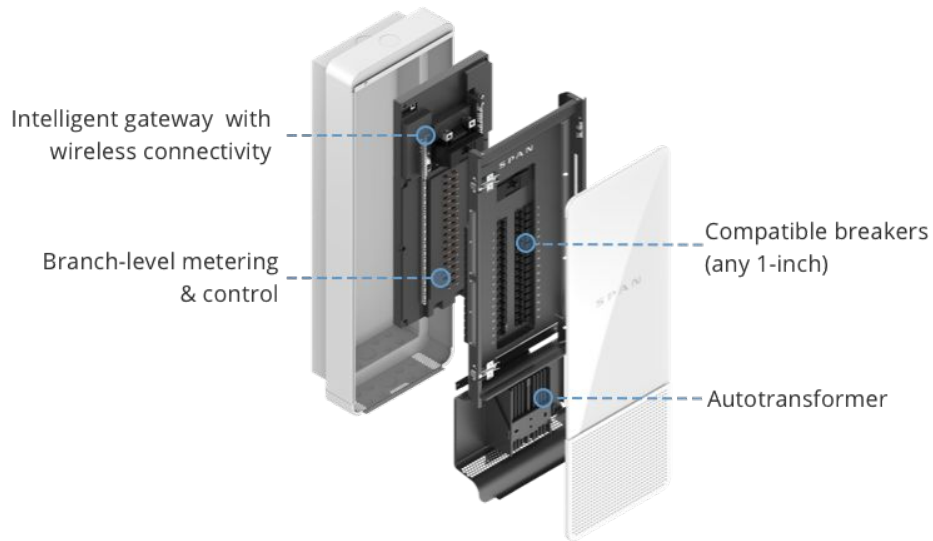


# SPAN



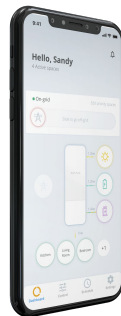
## American Made Solar Prize

Span is requesting American Made Solar prize funds to assist in the validation and scaling of our product. Prize money and the American Made Network will be used for validation testing and production scaling.

## Re-inventing the electrical panel

The electrical panel is an essential part of every home. It sits at the intersection of energy from the grid, distributed solar / storage, and all things powered in a home.

At Span we are re-inventing this ubiquitous device to be **connected, intelligent, and beautiful**.



## Span enables better distributed energy

- Lower cost & faster installations
- Intuitive functionality & real-time controls
- Enables grid services and demand response