

# Platypus

## Ocean Energy That's Not a Hoax



“It has flippers much like the platypus animal which has a duck bill and flat tail”

## Platypus to the Rescue in Disaster Relief Situations

It Creates Electrical Power  
from Oscillating Ocean Waves

Its Flippers Move Up and Down  
to Rotate Generators that Charge Batteries

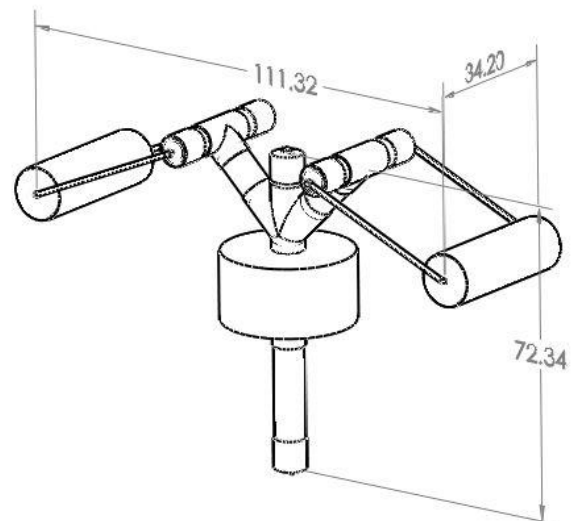
The Batteries can be Used to Operate  
Desalinators for Fresh Water or Power  
Other Emergency Equipment

It Produces 50 watts of Power

It's Lightweight at 125 pounds

It Sets Up Quickly in Under Two Hours

It's Funny Looking



The Platypus Machine  
(Dimensions are in Inches)