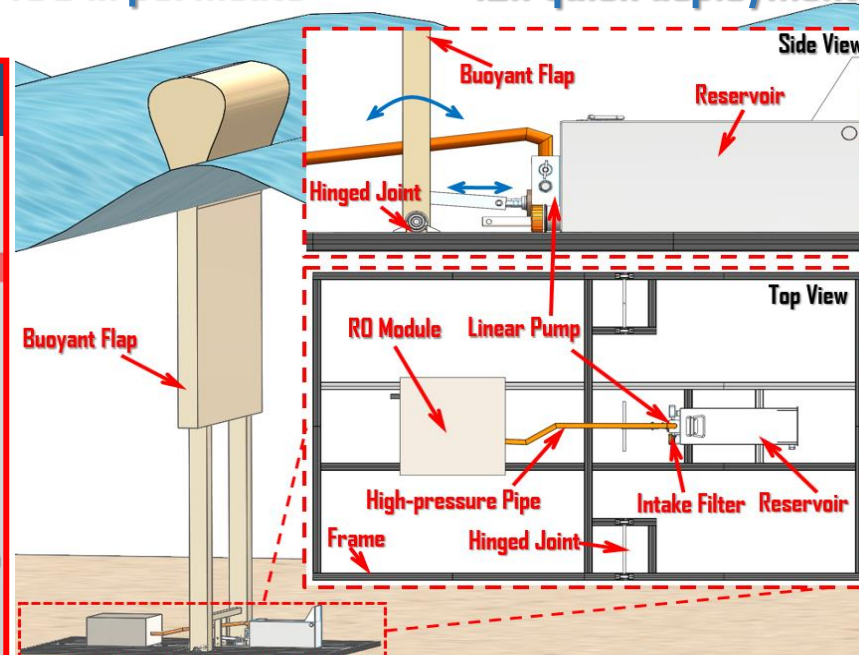
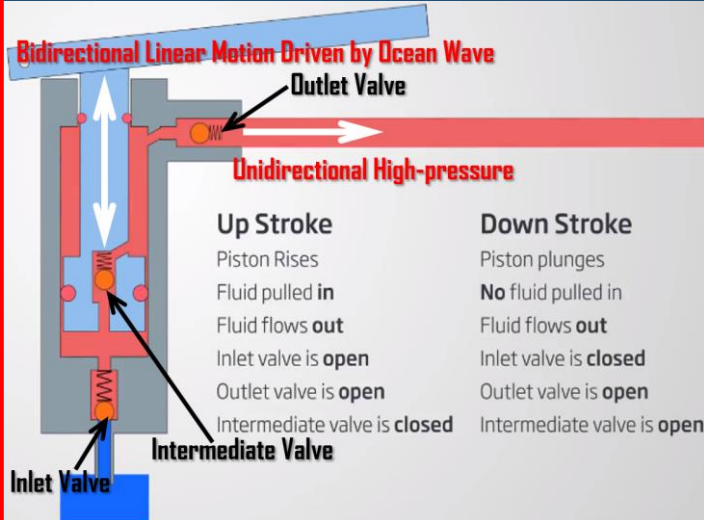


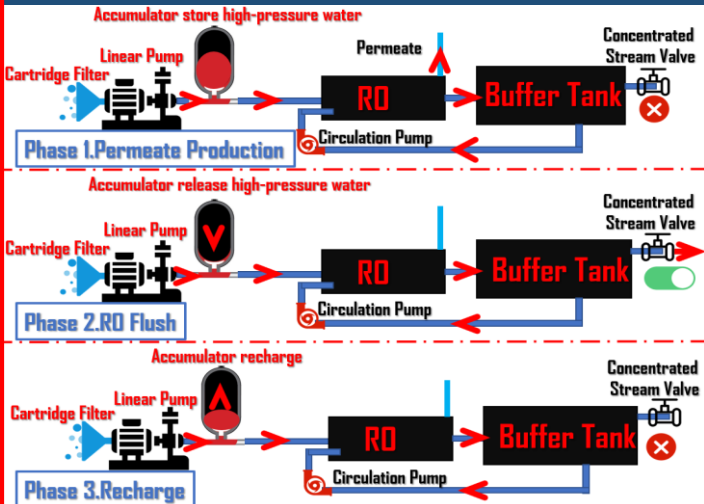
Fresh Water from and Powered by the Ocean

- ✓ 1.3 m³ fresh water in 5 days
- ✓ 802 mg/L TDS in permeate
- ✓ 172kg total weight
- ✓ 12h quick deployment

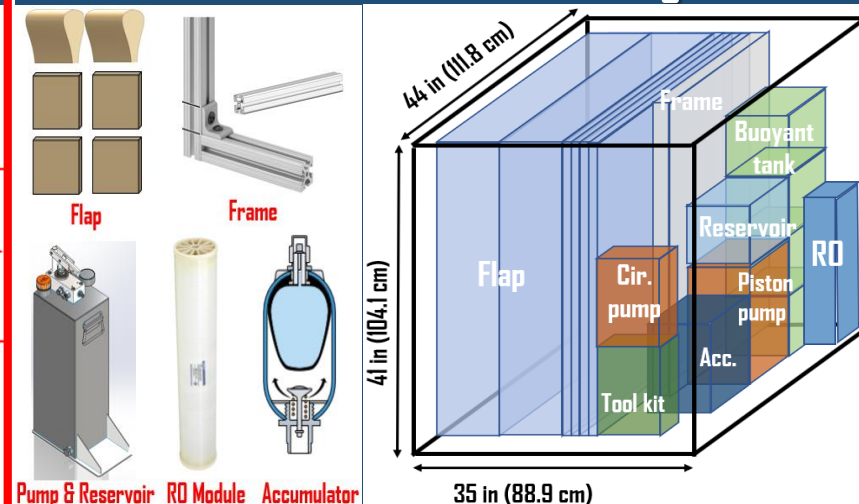
Innovation 1: Double-acting Pump



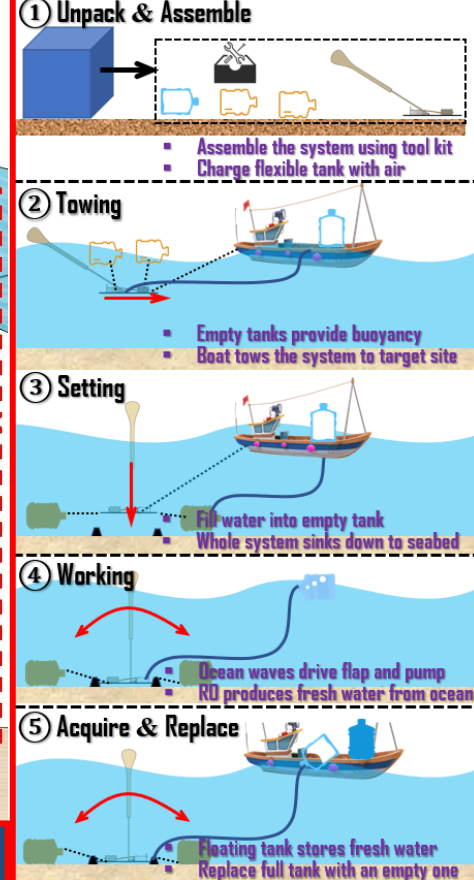
Innovation 2: Semi-batch RO



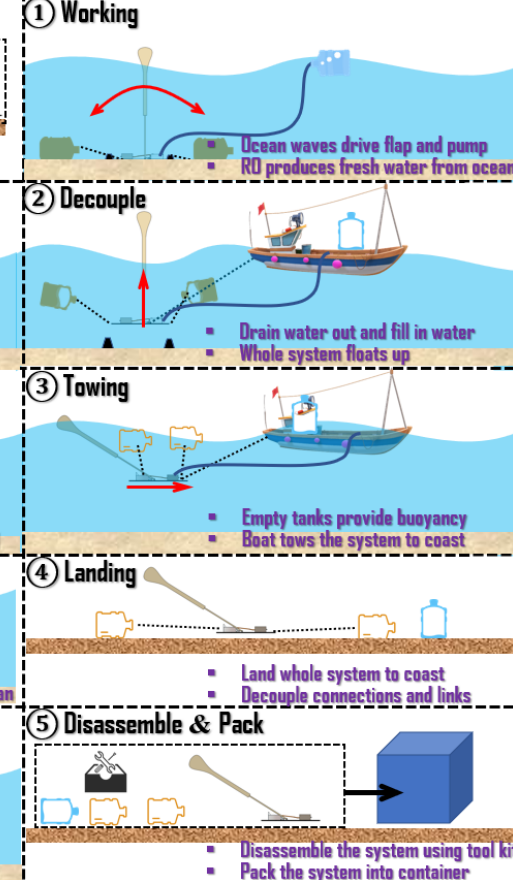
Innovation 3: Modularized Design



Operation & Maintenance



Retrieval & Decommission



Team Leaders

Prof. Lei Zuo
 Marine Energy

Prof. Shihong Lin
 Desalination



<http://www.me.vt.edu/research/laboratories/zuo/>

<http://www.shihonglin.net>