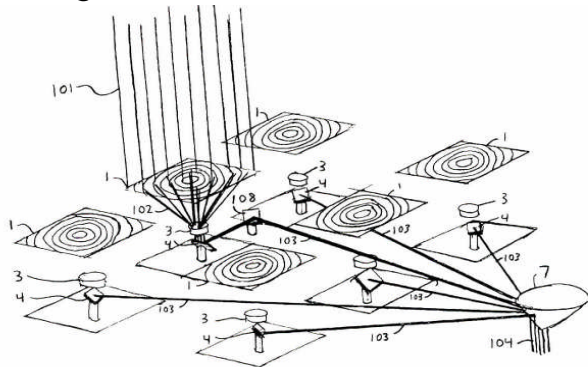
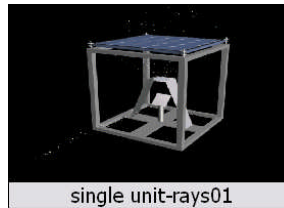


Aqua ManaSun LLC CSP Collimating System for Thermal Desalination production of fresh water

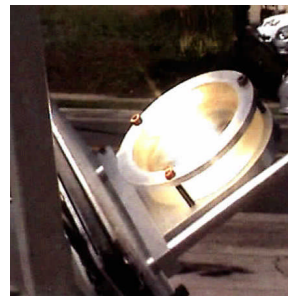
- Collimating CSP system with target of 2,000 Degree point of utility. Dual axis system increases concentration ratio improving state of the art for solar thermal desalination. System could allow for thermal desalination through CSP.
- Novel-Patented technology, project US patent number 8689784B2, significant research and background on concept and technical issues for CSP technically feasible for thermal.
- High temperature CSP readily supports thermal desalination and allows for the elimination of brine. Also, additional CSP concentrators could convert the brine into molten salts which could be used for thermal storage.



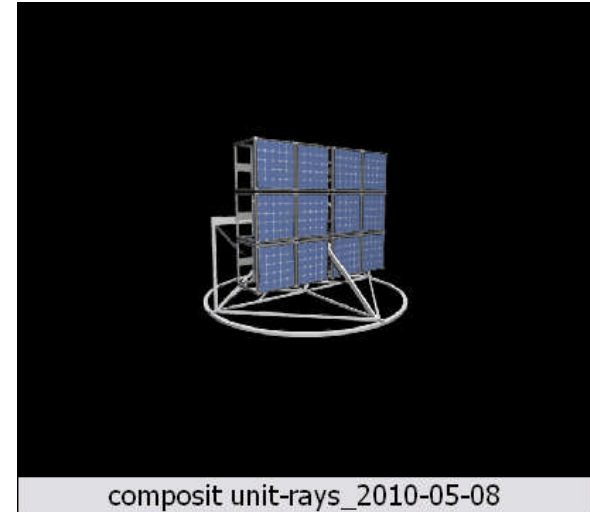
Clear Ceramic collimating lens on test heat exchanger



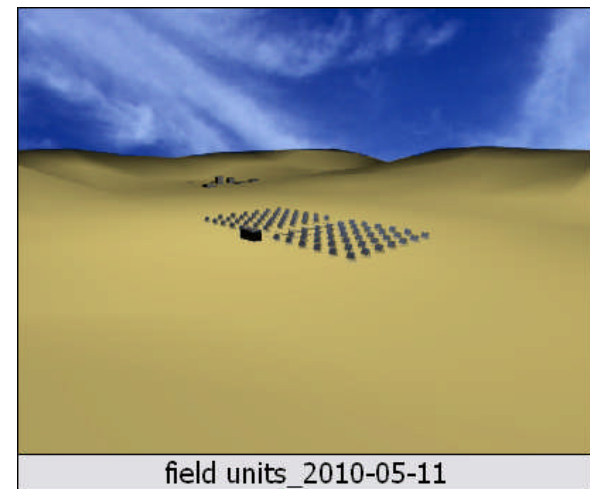
single unit-rays01



Clear Ceramic collimating lens prototype 1



composit unit-rays_2010-05-08



field units_2010-05-11