



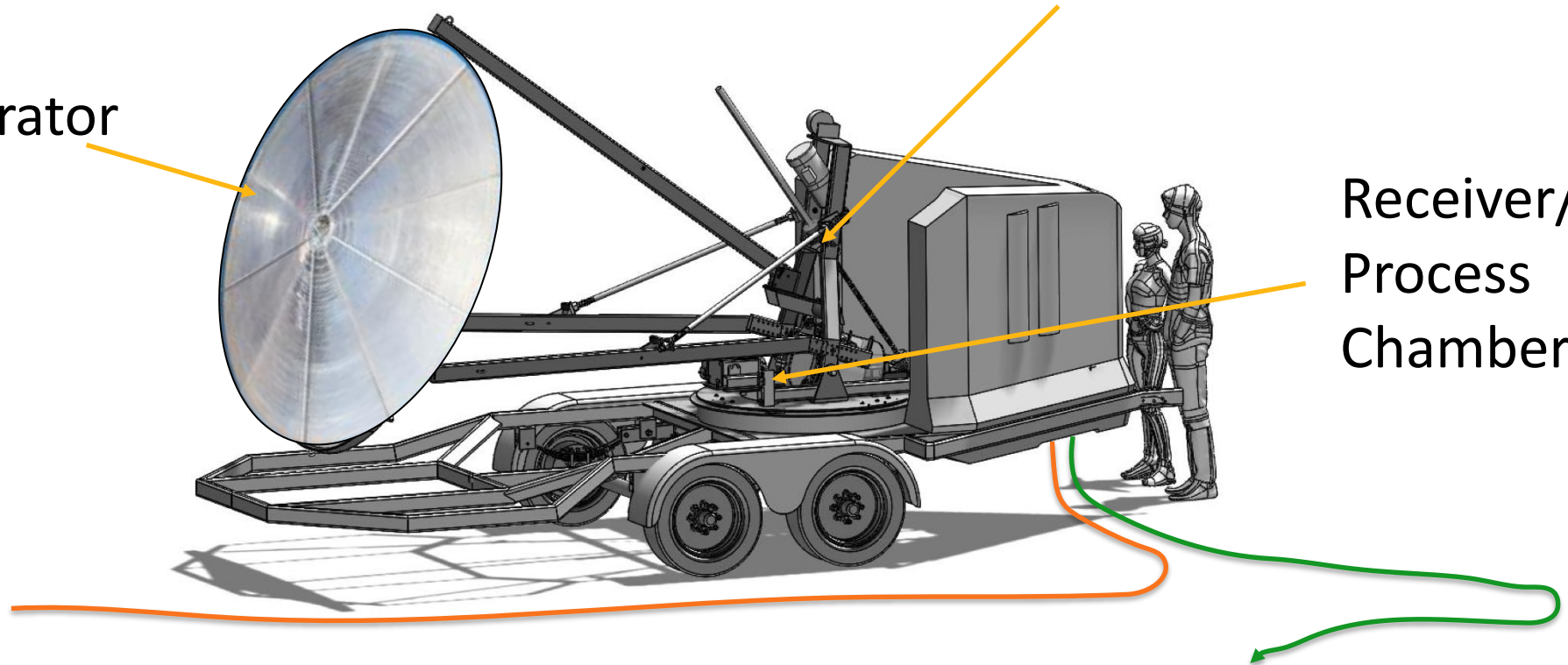
# The Ray™ System

Solar Tracking

Solar Concentrator

Receiver/  
Process Chamber

Waste Water



Decontaminated  
Water

CONTINUOUS TREATMENT OF CONTAMINATED EFFLUENTS  
WITH LITTLE TO NO EXTERNAL POWER REQUIRED