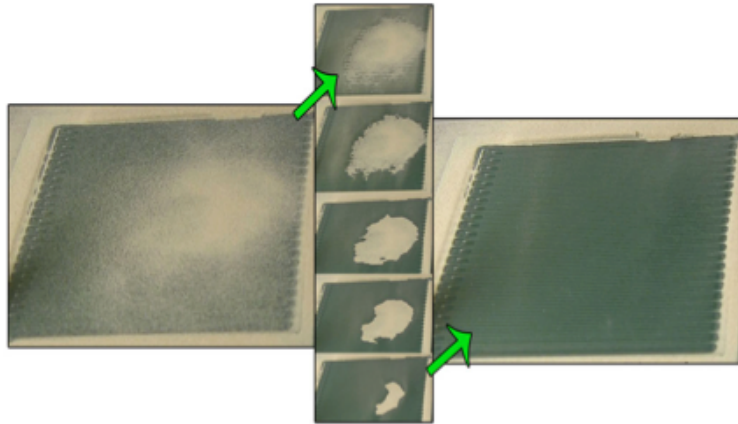
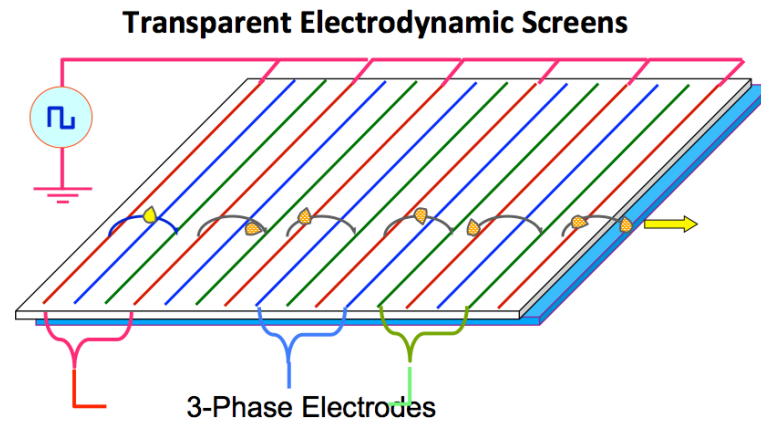




Heliostat mirrors in dusty conditions



EDS dust removal in 5-second intervals



EDS: Constant Operational Efficiency

