

Commercial Production of LiOH from Geothermal Brine

By the numbers

annual products

10,000 MT LCE LiOH
 5,000 MT LCE Li₂CO₃
 35,000 MT 30% HCl
 70,000 MT Mixed Oxides & Confidential Products

- LiOH is directly produced from LiCl without an Li₂CO₃ intermediate.
- Producing Li₂CO₃ balances product set and drives OpEx lower.

\$400 MM CAPEX
\$4000/MT LCE OPEX

- CapEx can be reduced by \$50MM if power and steam can be secured from existing power plants or IID at no more than \$0.07/kWhr and \$0.50/MM BTU.
- OpEx considers combined production of all four products.



Year 3 First Drop
Year 4 Project Team Release
Year 5 Operationalization
EBITDA \$130MM
Year 6 Exit \$1.3B Valuation



- Based on:
- Weighted average LiOH and Li₂CO₃ prices in 2026 at \$12,000 MT LCE
 - HCl \$200/MT
 - Mixed Oxide \$50/MT

AN AMERICAN-MADE CHALLENGE



DLE-to-ELE Geothermal Brine Lithium Commercialization

Innovations by PreProcess

Innovation and Execution SMART Objectives Highlights

Innovation	Execution
Oxidation in Brine Prep	Develop Working Model
Hydrodynamic Control	Relationship Interconnectivity Flowchart
Precip vs. IX Load Balance	Build Team of Team Structure
Evap vs. Wash	Location Specific Layout Interdependency Working
Use of self generated high purity HCl vs market procured HCl	Brine Feedstock & Workspace Colocation Agreement
	Permit Package and Construction Labor Management
	Working Team
	Workforce Education Program

Relevant Team Experience

Rapid Commercialization of Modular Systems

PreProcess team scaled a first of its kind system from idea to commercialization in 19 months earning the Technology Pioneer World Economic Forum Award.

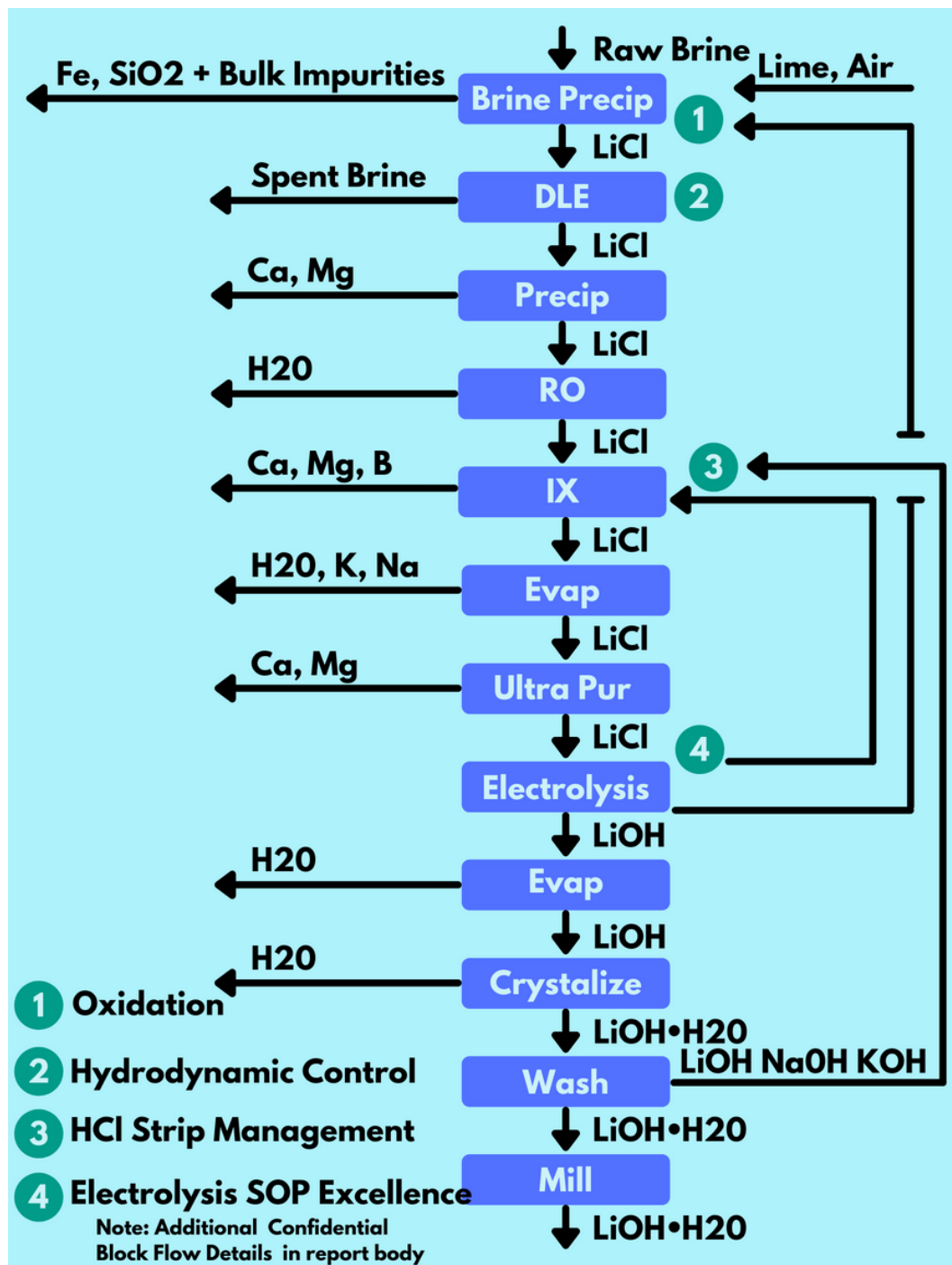
Mega-Project Engineering Execution

Led Engineering, Construction, Project Management, & Commissioning of novel chemical manufacturing mega-project with American made equipment components.

Geothermal Brine System Design and Operations

Industry recognized experts in first of their kind mineral extraction from geothermal brines.

Block Flow Diagram



engineering, entrepreneurship & enviroconsciousness.

Christina Borgese Marc Privitera, PE

(949) 201-6041 christina@preprocessinc.com
 (925) 408-3504 marc@preprocessinc.com