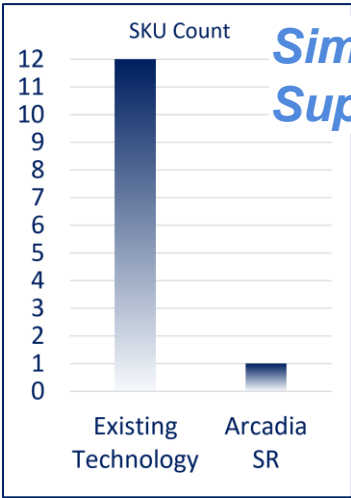


# Arcadia SR

## The First Ever, Fully Integrated Residential Solar Panel



**Simpler Supply Chain!**

### Installation Instructions:

- 1) Screw them down,
- 2) Plug them together,
- 3) Drive to next job,
- 4) Repeat.

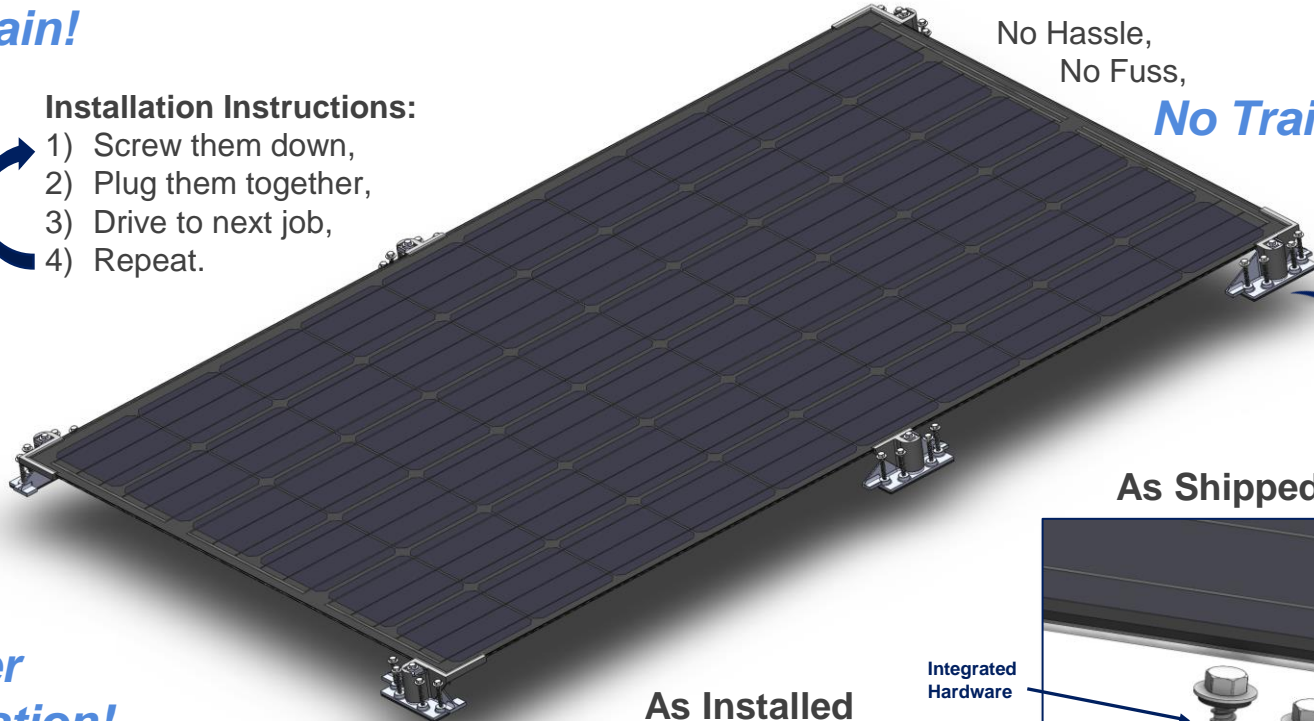
**Drastically Lowering the Cost of Solar!**

No Hassle,  
No Fuss,

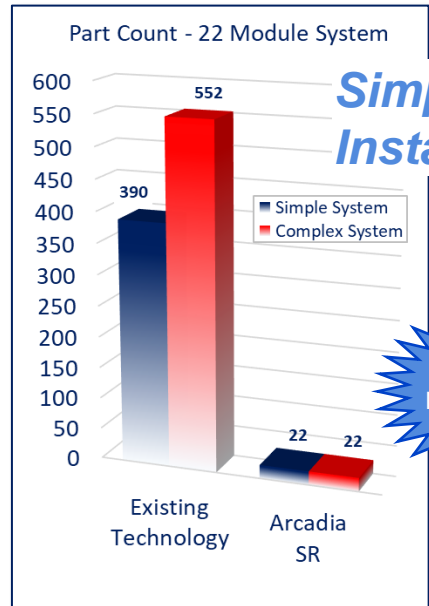
**No Training!**

- ✓ Single SKU
- ✓ Single Tool
- ✓ Integrated Racking
- ✓ Integrated Flashing
- ✓ Integrated Hardware
- ✓ Integrated Power Electronics
- ✓ Integrated Wire Management
- ✓ Integrated Stacking Clips
- ✓ No Skirt (optional)
- ✓ No Layout
- ✓ No System Ground Wire

**3X Faster Install** ✓

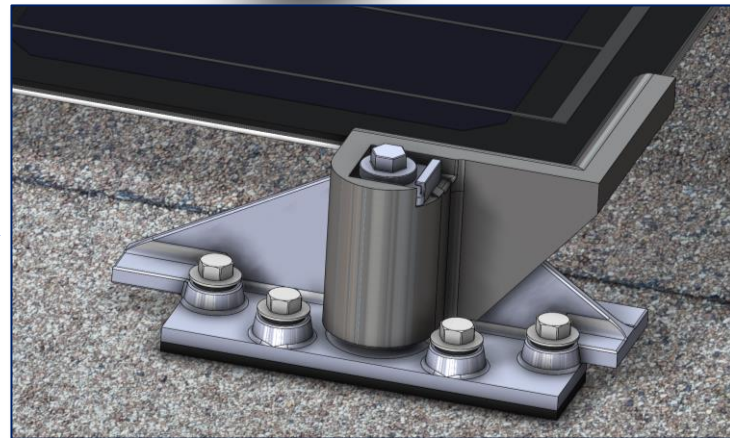


Everything you need,  
Exactly where you need it!



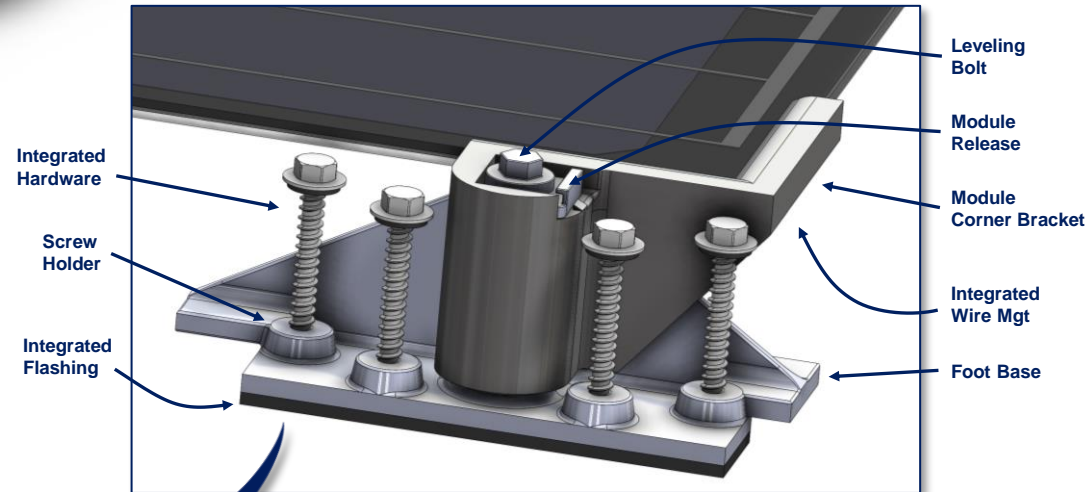
**Simpler Installation!**

**Fixed Part Count  
No Matter the Complexity**



**As Installed**

**As Shipped**



Inventor: Samuel Truthseeker  
Patent Protected: US10,361,653