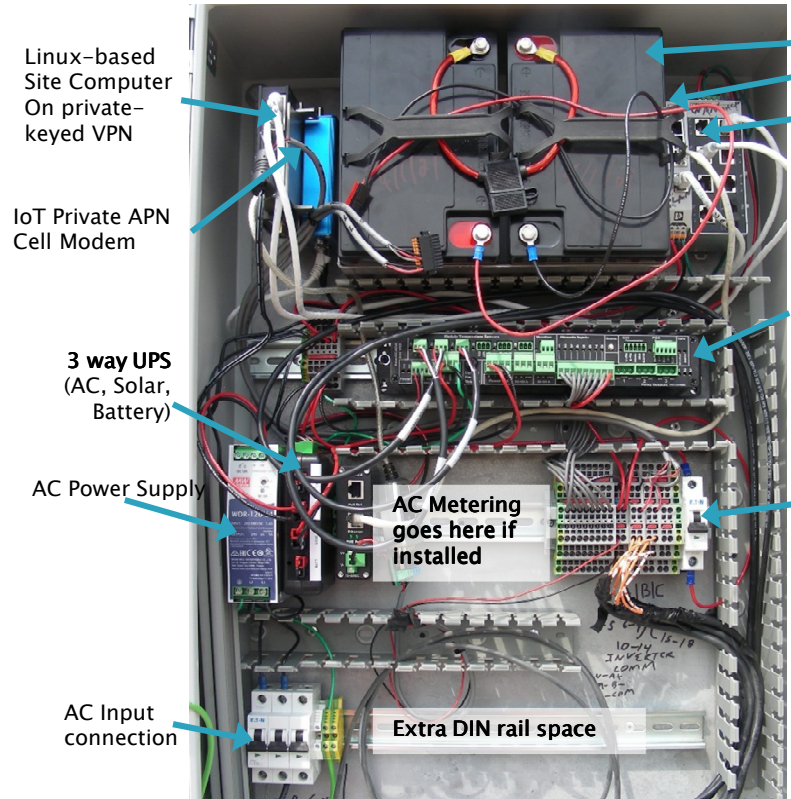


SolarSCADA

Fully Modular SCADA specifically for Solar



Linux-based Site Computer
On private-keyed VPN

IoT Private APN Cell Modem

3 way UPS (AC, Solar, Battery)

AC Power Supply

AC Input connection

AC Metering goes here if installed

Extra DIN rail space

- 12 or 24VDC Battery Bank
- WAN Ethernet Switch (DHCP)
- LAN Ethernet Switch (We provide IP info)

- SSI Input module**
- 6x Back of Module Sensors
 - 3-wire RTD or Thermocouple
 - 2x 24-bit Analog Pyranometer inputs
 - uV, mV, 1 VDC, 5VDC, 10VDC, mA
 - 1x Weather Station SDI-12 input
 - 8x 12-24VDC Opto-Isolated Discrete Ins
 - Incl. 2x KYZ pulse inputs
 - 3x 120 VAC Relay Outs
 - 2x Isolated RS-485 feedthroughs
 - Full galvanic isolation for all field terminals
 - Field IO
 - Cage Clamp Terminals for external RS-485

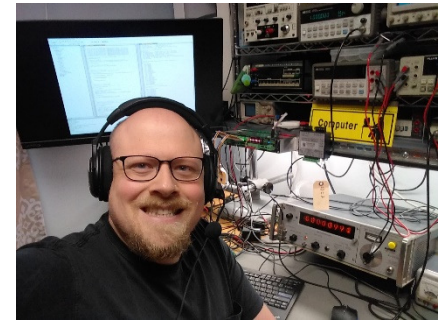
We're seeking the HeroX prize to upgrade our V03 Hardware (shown) to V04, and move from "home made" to a commercial-friendly offering

SSI + 3 way UPS are in-house developed hardware devices specific to our product offering, built under contract by US-based manufacturing facilities, or in my lab by hand.

SolarSCADA offers all the hardware and software illustrated here as a turn-key package. This includes:

- IEC 61724-1 Compliant input Met Station data
- AC power metering
- AC/DC/Solar standalone operation
- Private IoT SIM for data upload
- Access to our web portal
- Real Time data updates with high resolution historian (5-30 second polling standard, depending on device, poll times < 100msec possible, stored in historian at deadbands determined by instrument accuracy specs)
- Inverter communications
- Secure VPN and forwarding for inverter remote access
- Custom time interval Web, CSV, Excel, and API data access standard
- Easy interface for Relaying and Protection Equipment
- Low Rate site image upload available as option

SolarSCADA has shipped ~50 projects in six states since our founding in 2018



Mr. Linder, SolarSCADA's founder and sole employee, Validating the KYZ pulse input for the SSI

SolarSCADA Hardware:
Install 1 panel per AC block:
Large sites = copy'n'paste identical panels

~400 real-time points / MW via our secure VPN

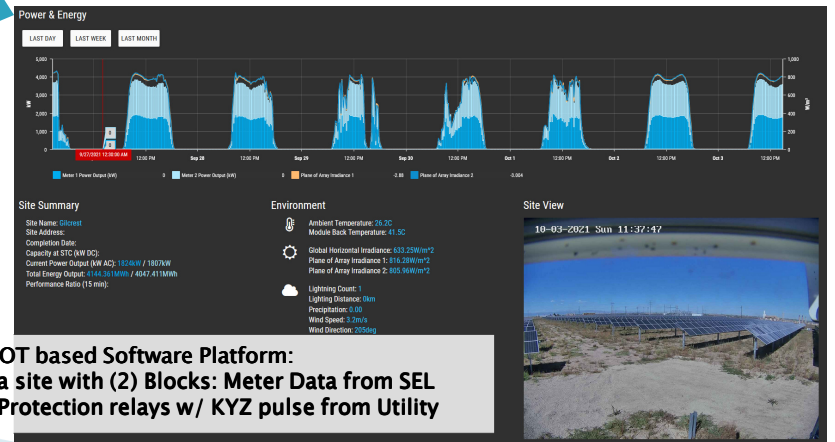
Weather Station + Fixed Tilt Pyranometer Mounting



Tracker-Mount POA / RPOA Pyranometer Bracket



Pre-Calibrated / Ready to install Module Temperature Sensors



Radix-IOT based Software Platform:
This is a site with (2) Blocks: Meter Data from SEL Feeder Protection relays w/ KYZ pulse from Utility